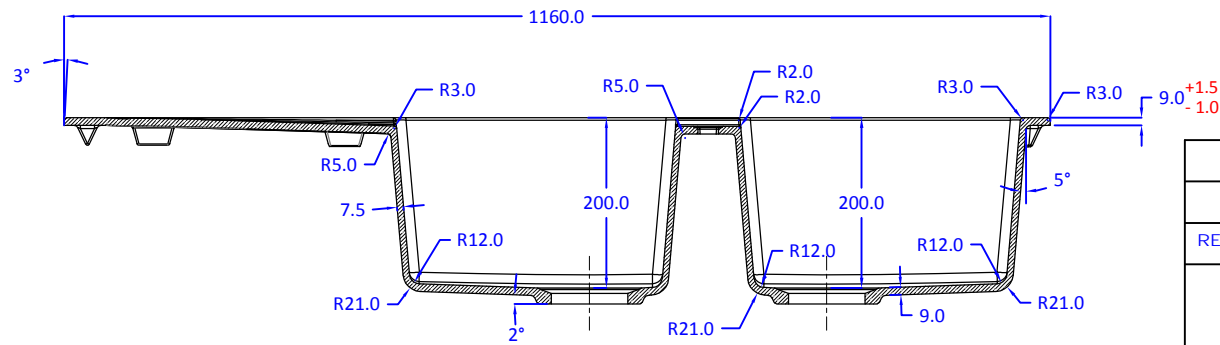
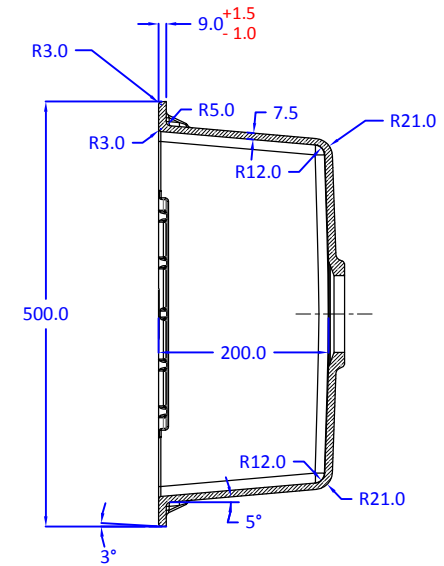
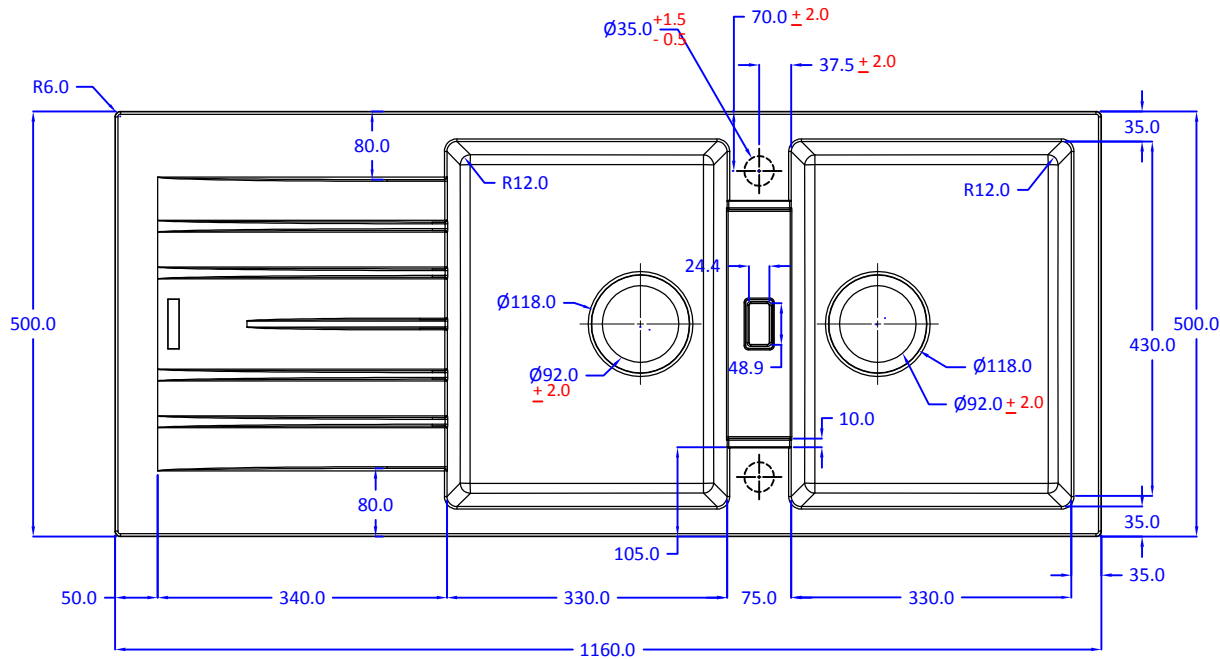






Codice Dianflex: 140-1720

Rev. Dianflex: 02/2026



REV. NO.	NO. OF DWGS.	MODIFICATION NO.	APPD. BY	DATE
 			SIGN	DATE
			J.V.V	
			DJA	
DESCRIPTION :- Tip-Toe D-200			 	
DRAWING NO. :-				