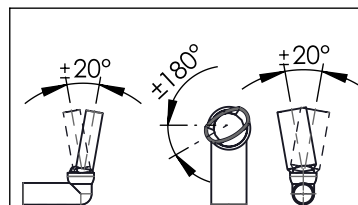
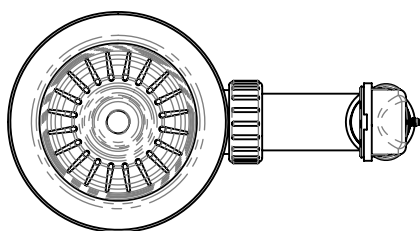
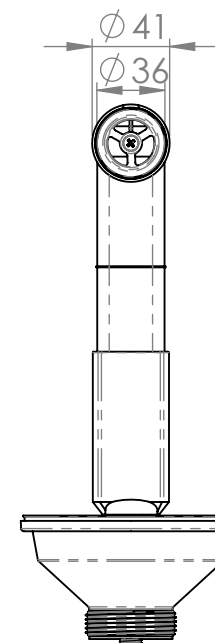
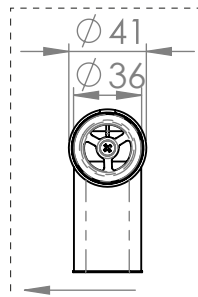
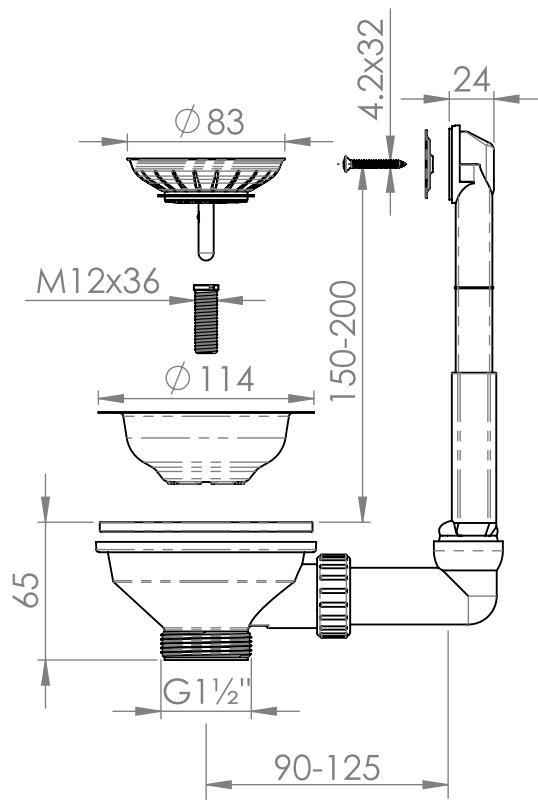



Codice Dianflex: 371-M30912

Rev. Dianflex: 07/2025



REV.	REVISION DESCRIPTION	DRAFTSMAN	DATA	APPROVED
L.B. PLAST CODE		CUSTOMER CODE		VOLUME (cm ³) / PESO (g)
D577-36				UNITS 33
UNI EN ISO 228 UNI ISO 22768-mk UNI EN 274		DATE	NAME	DRAWING TYPE
Drawn	06/10/2020	L.B. Plast 043		<i>Technical</i>
Approved		L.B. Plast	SCALE	1:5
MATERIAL		TREATMENTS	COLOR / MATERIAL FINISH	
			A4	
 L.B. PLAST Accessori idraulici per lavelli da cucina Waste Fittings for Kitchen sinks				
ITEM DESCRIPTION PILETTA Ø114 TAPPO CESTELLO PER LAVELLO CON FORO Ø90 CON TP RIGIDO SNOTATO ROTONDO - CLASSIC				
<small> [Illegible technical drawing notes and symbols] </small>				